

T392AU
0423



CINGO multi-purpose transporters



MERLO

CINGO multi-purpose transporters

Cingo multi-purpose transporters are compact and highly manageable machines, designed to work in tight spaces. Their low centre of gravity guarantees maximum transversal stability on slopes, while their tracks allow for lower ground pressure and a better grip on deformed and irregular terrain.

The versatility and multi-purpose qualities of the Cingo system are unique: the patented quick-coupling device allows for the use of countless different attachments.

The wide range available includes models with capacities of 700 kg to 1.200 kg, and consists of three types of machines:

- ✓ **TRANSPORTERS:** mini operating machines for the transport and loading of materials
- ✓ **MULTIFUNCTION MACHINES:** mini operating machines equipped with Merlo's patented quick-coupling device, capable of being paired with countless attachments
- ✓ **UNIVERSAL TOOLBOX:** The Cingo M4.3 Turbo is equipped with a solid attachment connector, not compatible with the patented quick-coupling device





Winning innovations

Cingo model machines are tireless and versatile, and are specifically designed for the maintenance of green areas (grass mowing, twig shredding and pruning), road and forest cleaning, winter road maintenance, agricultural and livestock activities, and construction work (excavation, transport, concrete mixing, etc.).

Safe and reliable for countless applications, the Cingo models are manageable and easy to drive thanks to their hydraulic controls and hydraulic or hydrostatic transmissions. And they're even capable of operating in confined spaces: in fact, all the various models have a compact width, and can turn in place thanks to the counter-rotation of the tracks.

All the “EVO” series machines, driven by hydrostatic transmissions, are now equipped with hydraulic servo-assisted transmission controls. A 70% reduction of the force needed to operate the levers greatly improves the driving comfort. Driving precision is also enhanced. There are also major advantages for maintenance, as this system no longer requires periodical adjustments.

CINGO transporter models

Indispensable for material transport and handling operations

CINGO M700TD

This compact transporter is equipped with hydraulic transmission with gear pumps and hydraulic gear motors with the possibility of moving at double speed.

Excellent performance and maximum safety are also guaranteed by the *overcenter* valve for controlling speed on slopes.

Replacing the attachments available for this transporter model is facilitated by the possibility of placing the attachment on the ground with four support feet.



CINGO M700TD TECHNICAL DATA

PERFORMANCE		TRANSMISSION AND HYDRAULIC SYSTEM		WEIGHT AND DIMENSIONS	
Maximum capacity	700 kg	Transmission type	Hydraulic	Weight	480 kg
Petrol engine	Honda 12 HP	Hydraulic transmission pumps	Gear motors	Width	750 mm
Ignition	Electrical	Service pump	Gears 6 cc	Length	1.640 mm
Two speeds	2,5 - 4 km/h				





CINGO M8.3TD-EVO

The hydrostatic system, with hydraulic servo-assisted controls, also allows you to manage the speed from a few metres per hour up to a maximum of 4 km/h. It also allows you to control the steering with ease and micrometric precision for work accuracy and driving safety.



CINGO M8.3TD-EVO TECHNICAL DATA

PERFORMANCE		TRANSMISSION AND HYDRAULIC SYSTEM		WEIGHT AND DIMENSIONS	
Maximum capacity	800 kg	Transmission type	Hydrostatic	Weight	510 kg
Diesel Engine	Kubota 17 HP	Hydraulic transmission pumps	Gear motors	Width	800 mm
Ignition	Electrical	Service pump	Gears 8 cc + 2,5 cc	Length (with dumper body)	1.800 mm
Maximum speed	4 km/h				

CINGO multifunction models

Multifunction system, versatility for every sector

The versatility and multi-purpose qualities of the Cingo system are unique. The quick attachment coupling device equips the sturdy tracked truck with two strong steel booms. This hydraulically controlled coupling system is patented and allows the rapid and simple replacement of innumerable attachments.

CINGO M8.3EVO

Thanks to its compact size, the Cingo M8.3EVO is a multifunction machine ideal for working in particularly confined spaces. The 17 HP diesel engine and the tracks' high angle of contact allow the machine to overcome obstacles, guaranteeing maximum versatility and functionality in all work situations. As with all Cingo models equipped with hydrostatic transmission with gear motors, the integrated parking brake allows for excellent dynamic braking, guaranteeing a lower stopping distance, and therefore greater safety. The hydraulic servo-assisted controls also allow the speed to be regulated from a few metres per hour up to a maximum of 4 km/h, and the steering to be controlled with ease and micrometric precision.

CINGO M8.3EVO TECHNICAL DATA

PERFORMANCE		TRANSMISSION AND HYDRAULIC SYSTEM		WEIGHT AND DIMENSIONS	
Maximum capacity	800 kg	Transmission type	Hydrostatic	Weight	510 kg
Diesel Engine	Kubota 17 HP	Hydraulic transmission pumps	Gear motors	Width	800 mm
Ignition	Electrical	Service pump	Gears 8 cc + 2,5 cc	Length	1.600 mm
Maximum speed	4 km/h	Maximum system flow rate (auxiliary circuit)	27 l/min		





CINGO M12.3EVO

The Cingo M12.3 EVO, equipped with gear motors and integrated parking brake, is the largest and most versatile multifunction machine.

It is equipped with a powerful 21 HP diesel engine and suitable tracks that allow it to operate in any terrain condition, thanks to excellent ground contact.

Ideal in hilly and mountain areas where the compact size, low centre of gravity and remarkable traction allow you to work effectively and safely.

The hydrostatic system, with hydraulic servo-assisted controls, also allows you to manage the speed from a few metres per hour up to a maximum of 5 km/h. It also allows you to control the steering with ease and micrometric precision for work accuracy and driving safety.



CINGO M12.3EVO TECHNICAL DATA

PERFORMANCE		TRANSMISSION AND HYDRAULIC SYSTEM		WEIGHT AND DIMENSIONS	
Maximum capacity	1.200 kg	Transmission type	Hydrostatic	Weight	720 kg
Diesel Engine	Kubota 21 HP	Hydraulic transmission pumps	Gear motors	Width	1.000 mm
Ignition	Electrical	Service pump	Gears 8 + 2,5 cc	Length	1.800 mm
Maximum speed	5 km/h	Maximum system flow rate (auxiliary circuit)	27 + 8 l/min		

Handler 400 attachment

The Cingo system attachments are the winning idea that led to a new concept of versatility for tracked transporters. There are countless work tools available for each model, offering numerous innovative technological features designed to increase their usage potential, enhance their versatility, and optimise their use in every field: from construction to agriculture, recycling and horticulture.

It only takes a few seconds to connect the desired equipment in order to quickly and effectively tackle any need that may arise in terms of lifting, excavating, transporting, loading and unloading, and precision handling operations.

HANDLER 400

This exclusive Handler attachment, which is completely interchangeable with every other accessory designed for the multifunction system, transforms your unit into a real compact telehandler.

The attachment is designed to be mounted on the Cingo M12.3EVO model.

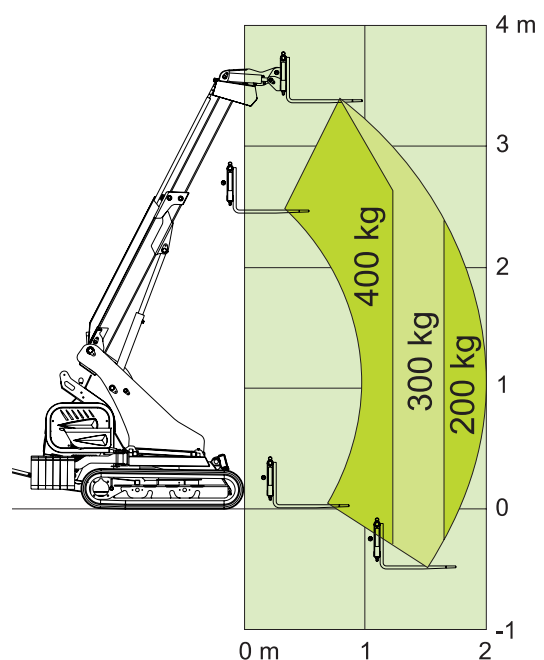
While the standard Handler 400 comes with a fork attachment, a wide range of other attachments (shovels, fork with grab, log grapple, hedge trimmer, etc.) for excavating, lifting, carrying and cutting can also be mounted on the telescopic boom whenever necessary.

HANDLER 400 TECHNICAL DATA	
Maximum load capacity (kg)	400
Handler attachment weight (kg)	680 (without the machine)
Lift height (m)	3,4
Kubota Diesel Engine (HP)	21
Maximum speed (km/h)	4,9
Transmission	Hydrostatic
Boom controls	Electromechanical joystick
Front hydraulic stabiliser	Standard
Double pump and auxiliary service line	Standard

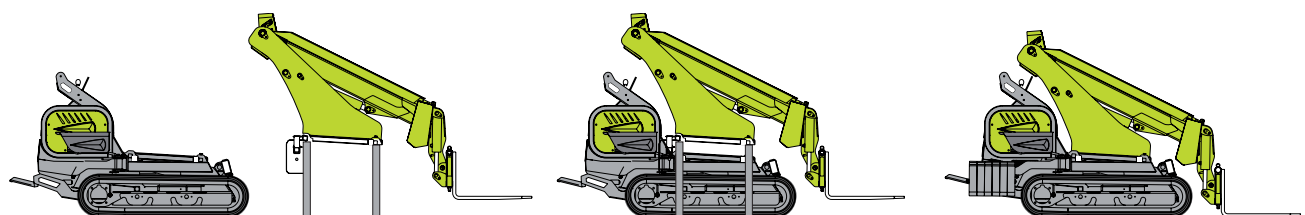
HANDLER 400

The Handler 400's maximum load capacity with the boom retracted amounts to 400 kg (including the fork attachment).

The attachment is equipped with an anti-tipping system in order to ensure maximum operator safety.



Attachment assembly sequence





HANDLER 400

IMPLEMENT-HOLDER FRONT CARRIAGE WITH MANUAL LOCK

TELESCOPIC BOOM SLIDING ON ADJUSTABLE ANTI-FRICTION PADS

REMOVABLE MULTIFUNCTION ARMS OF MERLO'S EXCLUSIVE PATENTED QUICK-COUPLING SYSTEM, DESIGNED FOR USE WITH COUNTLESS TYPES OF ATTACHMENTS

CONVENIENT ELECTROMECHANICAL JOYSTICK CONTROLS

POWERFUL 21 HP DIESEL ENGINE

STURDY RUBBER TRACK AND RUNNING GEAR WITH OSCILLATING ROLLERS

HYDROSTATIC TRANSMISSION WITH HYDRAULIC GEAR MOTORS AND BUILT-IN PARKING BRAKE



LIST OF ATTACHMENTS

CINGO TRANSPORTER MODELS	M700TD	M8.3TD-EVO
Dumper body	X	X
Dumper body with self-loading bucket	X	X
200-litre concrete mixer		X
200-litre concrete mixer with self-loading bucket		X
Front blade		X
High-capacity dumper body with front sideboard	X	X
High-capacity Dumper body with front sideboard and self-loading bucket	X	X
High tip dumper	X	
High tip dumper with bucket	X	
CINGO MULTIFUNCTION MODELS	M8.3EVO	M12.3EVO
<i>Attachments for the construction and earth-moving sectors</i>		
Dumper body	X	X
Dumper body with self-loading bucket	X	X
200-litre concrete mixer	X	X
200-litre concrete mixer with self-loading bucket	X	X
<i>Attachments for agriculture, forestry and green areas</i>		
Dumper body with openable sideboards and agricultural flat bed	X	X
Shredder for shrubs, grass and stalks	X	X
Auger	X	X
Front blade with hydraulic positioning	X	X
<i>Handler 400 ATTACHMENTS and accessories</i>		
HANDLER 400 - telescopic boom complete with forks		X
Bucket for Handler 400		X
4x1 bucket for Handler 400		X
Fork with grab for Handler 400		X

Multifunction system attachments

With the multiple attachments available, the Cingo becomes a highly efficient and productive machine that's capable of significantly reducing costs for numerous different activities where specific machines are normally utilised.

The excellent features and performance of Cingo attachments and their total compatibility are derived from an integrated design and an exclusive production process.

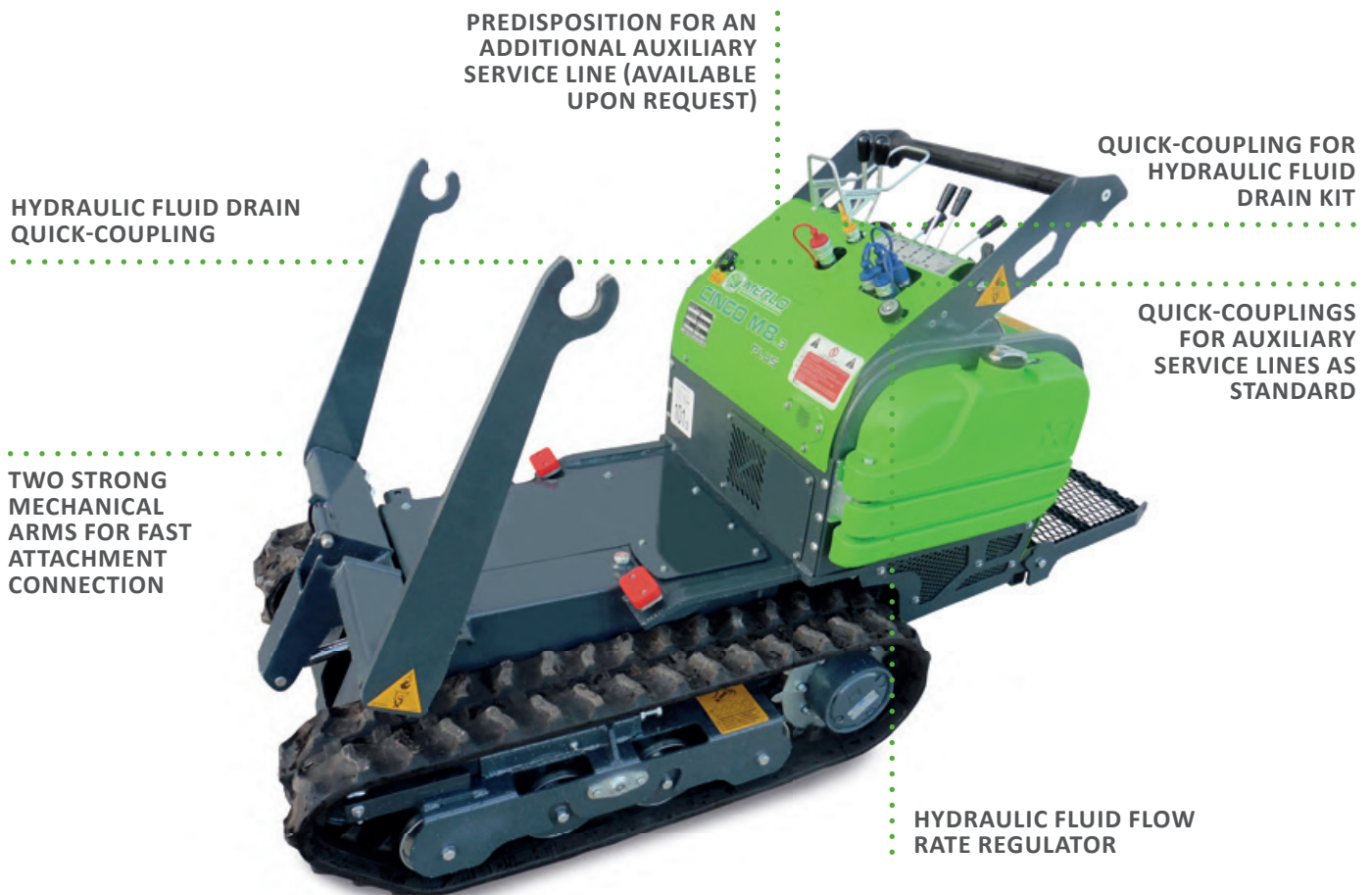
Patented device

What makes the Cingo system so versatile and unique is the complete interchangeability of the countless attachments.



The patented device for rapid attachment connection, which equips the truck with two strong mechanical arms, is the technological base of the Cingo Multifunction. Most of the Multifunction system's attachments are compatible with this device.

HYDRAULICALLY CONTROLLED QUICK-COUPLING DEVICE







Dumper

Ideal for transporting bulk materials and for precision unloading. Compatible with the quick-coupling system.

	M 8.3EVO	M 12.3EVO
Dumper capacity (l)	400	550
Load capacity (kg)	730	1.100
Width (mm)	800	920



Dumper with self-loading bucket

The advantage of having the front bucket with hydraulic lifting for loading the material. Compatible with the quick-coupling system.

	M 8.3EVO	M 12.3EVO
Dumper capacity (l)	400	550
Load capacity (kg)	655	980
Bucket capacity (l)	80	90
Width (mm)	970	1.080



Trilateral tipper

The versatility of a tipper body with movable tipping sideboards on three sides.

	M 8.3EVO	M 12.3EVO
Load capacity (kg)	710	1.100
Width (mm)	750	920
Length (mm)	1.050	1.250
Height of the sideboards (mm)	450	450



Tipper body with sideboards

The versatility of a tipper body with movable sideboards, which can become an integral part of the loading surface if necessary, thus increasing its surface area.

	M 8.3EVO	M 12.3EVO
Load capacity (kg)	720	1.100
Width with sideboards closed (mm)	800	1.000
Width with horizontal sideboards (mm)	1.445	1.650
Height of the sideboards (mm)	300	300



Bush cutter

Ideal for shredding pruning clippings, stalks, small shrubs and for cleaning embankments and paths. Compatible with the quick-coupling system.

	M 8.3EVO	M 12.3EVO
Working width (mm)	800	1.000



Auger

For drilling precision holes in the ground for poles, supports, or small trees. Compatible with the quick-coupling system.

	M 8.3EVO	M 12.3EVO
Hole diameter (mm)	200	200
Maximum working depth (mm)	800	800



Winch with loading platform

The advantage of pairing a powerful hydraulic pulling system with a versatile means of transport. Ideal for use in the forestry sector.

	M 12.3EVO
Maximum load capacity (kg)	1.000
Maximum pull force (kg)	1.500
Cable length (m)	50



Manual hydraulic hammer

For carrying out small or large demolition operations with maximum precision and effectiveness.

	M 8.3EVO	M 12.3EVO
Tool mass (kg)	20	20



Concrete mixer

Designed for mixing concrete in the required quantities, whenever and wherever needed. Compatible with the quick-coupling system.

	M 8.3EVO	M 12.3EVO
Concrete mixer capacity (l)	350	350
Concrete yield (l)	200	200
Attachment width (mm)	1.050	1.050



Concrete mixer with self-loading bucket

Helps increase productivity by directly loading the aggregates. Compatible with the quick-coupling system.

	M 8.3EVO	M 12.3EVO
Concrete mixer capacity (l)	350	350
Concrete yield (l)	200	200
Bucket capacity (l)	40	40
Attachment width (mm)	1.050	1.050



Lift carrier with forks

Ideal for precision handling operations when high lifting capacities are required. Compatible with the quick-coupling system.

	M 8.3EVO	M 12.3EVO
Maximum load capacity (kg)	200	400
Lift height (mm)	1.600	1.800



Telehandler

An agile work tool that can be equipped with various types of attachments (shovels, forks, grapples, buckets, etc.) for excavating, lifting, loading, transporting, and handling operations. Compatible with the quick-coupling system.

	M 12.3EVO
Maximum load capacity (kg)	400
Lift height (mm)	3.400



Snow blower

This hydraulically-operated unit features a turbine ejector with a manually selectable continuous spray direction. Compatible with the quick-coupling system.

	M 8.3EVO	M 12.3EVO
Working width (mm)	800	1.000



Snow plough

Hydraulic orientation, suitable for snow removal. It is equipped with an anti-shock system with spring return, which allows for easy use while avoiding problems on uneven ground. Wear-resistant steel scraper.

	M 8.3EVO	M 12.3EVO
Blade width (mm)	1.300	1.300
Blade height (mm)	470	470
Blade angle (degrees)	±30	±30



Front blade

Easy to operate and ideal for cleaning stalls, piling loose materials, and levelling areas of ground.

	M 8.3EVO	M 12.3EVO
Blade width (mm)	1.100	1.300
Blade height (mm)	470	470
Blade angle (degrees)	±18	±18

MODELS			M700TD
SUBGROUP			TRANSPORTER
PERFORMANCE - DIMENSIONS	Maximum capacity	kg	700
	Machine weight	kg	480
	Maximum length	mm	1640
	Maximum width	mm	750
	Maximum height	mm	1230
	Distance off the ground/Ground clearance	mm	100
	Max. longitudinal slope		35%
	Max. cross slope		20%
	Maximum speed	km/h	4
ENGINE	Engine	Make	Honda
	Model	Number	GX 390
	Fuel		Petrol
	Cylinder no.		1
	Displacement	cc	389
	Max. engine speed	rpm	3.600
	Power	kW	8,7 kW
	Ignition		Manual pull start/Electric
	Engine cooling		Air
	Fuel tank	l	6,1
	Battery	V/Ah	12 V
TRANSMISSION	Transmission type		Hydraulic
	Pump	cc	4,27+4,27
	Hydraulic motor		Gear motor
	Controls / Levers		Hydraulic
	Operator's console		On the ground / Platform
	Parking brakes		Automatic Fast second gear
TRACKS	Type		Rubber
	Dimensions		180x72x36
	Rollers per side		4
HYDRAULIC CIRCUIT	Service pump	cc	Gears 6
	Auxiliary circuit oil flow rate	l/min	20
	Maximum pressure	bar	180
	Auxiliary circuit oil cooling		Yes
	Service lines		4
MULTIFUNCTION - QUICK-COUPLING			Yes

M8.3TD-EVO	M8.3EVO	M12.3EVO
<i>TRANSPORTER</i>	<i>MULTIFUNCTION</i>	<i>MULTIFUNCTION</i>
800	800	1.200
510	510	720
1.800	1.620	1.800
800	800	1.000
1.175	1.175	1.144
120	100	110
35%	35%	35%
20%	20%	20%
4	4	5
Kubota	Kubota	Kubota
Z-602	Z-602	D722
Diesel	Diesel	Diesel
2	2	3
600	600	720
3.600	3.600	3.600
12,5 kW	12,5 kW	14,9 kW
Electrical	Electrical	Electrical
Liquid-type	Liquid-type	Liquid-type
14	14	14
12 V	12 V	12 V
Hydrostatic	Hydrostatic	Hydrostatic
11+11	11+11	13+13
Gear motor	Gear motor	Gear motor
Hydraulic	Hydraulic	Hydraulic
On the ground / Platform	On the ground / Platform	On the ground / Platform
Automatic / Manual Selector	Automatic / Manual Selector	Automatic / Manual Selector
Rubber	Rubber	Rubber
180x72x36	180x72x36	230x72x40
4	4	4
Gears 8 + 2,5	Gears 8 + 2,5	Gears 8 + 2,5
27 + 8	27 + 8	27 + 8
180	180	200
Yes	Yes	Yes
8	8	8
No	Yes	Yes

CINGO multi-purpose transporters

Data, characteristics and illustrations contained in this document are indicative and not binding.

Merlo Spa pursues a policy of continuous research and development, therefore, our products may have different characteristics from those described or may undergo changes without any prior notice. The products shown may include optional equipment.



MERLO S.P.A.

Via Nazionale, 9 - 12010 S. Defendente de Cervasca - Cuneo - Italie

Tel. +39 0171 614111 - Fax +39 0171 684101

www.merlo.com - info@merlo.com